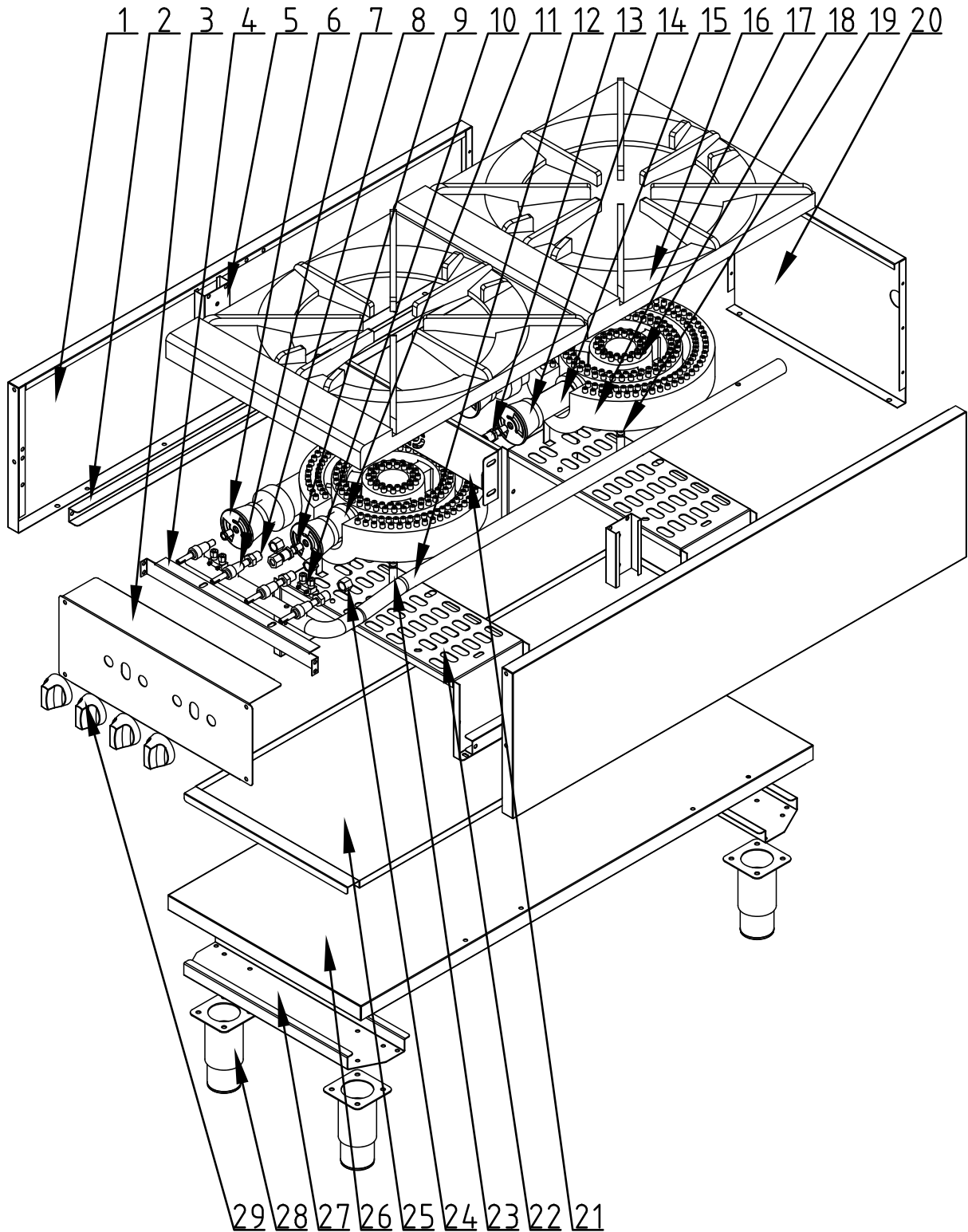


# Parts Breakdown

Model CE-CN-1060-S 37529





# Parts Breakdown

## Model CE-CN-1060-S 37529

Item No.	Description	Position	Item No.	Description	Position	Item No.	Description	Position
70248	Body Sides for 37529	1	70227	Ejector Tube-Short for 37529	11	70268	Nozzle Supporter for 37529	21
70249	Drip Pan Rail for 37529	2	70259	Gas Pipe for 37529	12	70231	Burner Supporter for 37529	22
70250	Front Panel for 37529	3	70260	Nozzle Join Part B for 37529	13	70233	Pilot Supporter for 37529	23
70237	Inlet Pipe Support for 37529	4	70226	Connector for 37529	14	70271	M16 x 1.25 Nut with Dia 10 for 37529	24
70252	Body Sides Support for 37529	5	70229	Ejector Tube-Long for 37529	15	70272	Drip Pan for 37529	25
70238	Adjustable Regulator for 37529	6	70224	Top Grates for 37529	16	70273	Lower Body Panel for 37529	26
70225	Gas Valve for 37529	7	70228	Outer Burner for 37529	17	70242	Plate for Feet for 37529	27
70255	Nozzle Join Part A for 37529	8	70230	Inner Burner for 37529	18	70235	Adjustable Feet for 37529	28
70239	Nozzle for 37529	9	70232	Pilot Igniter for 37529	19	43489	Red Dial for 37529	29
70257	Gas Pilot Valve for 37529	10	70234	Rear Panel for 37529	20			